



SOUNDWELL®

http://soundwell-cn.com

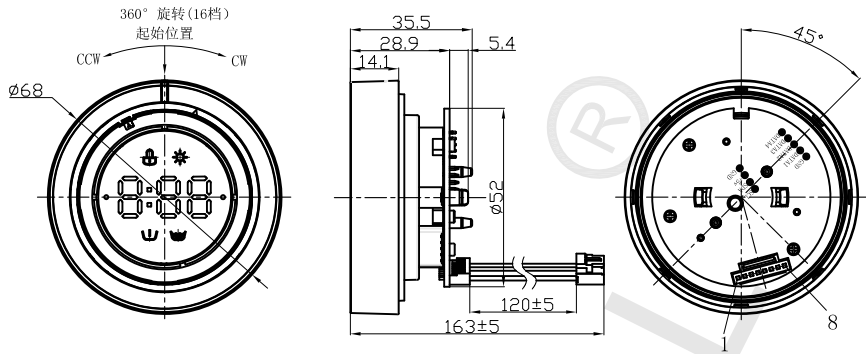
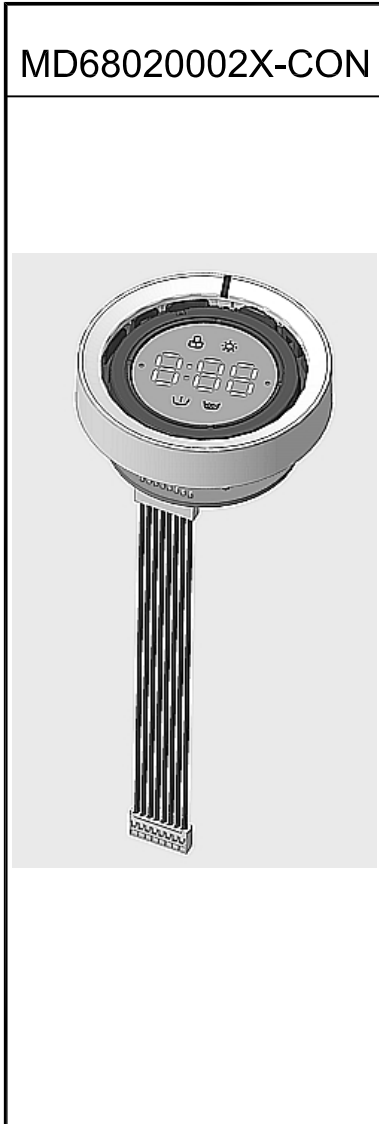


企业微信，扫码有惊喜

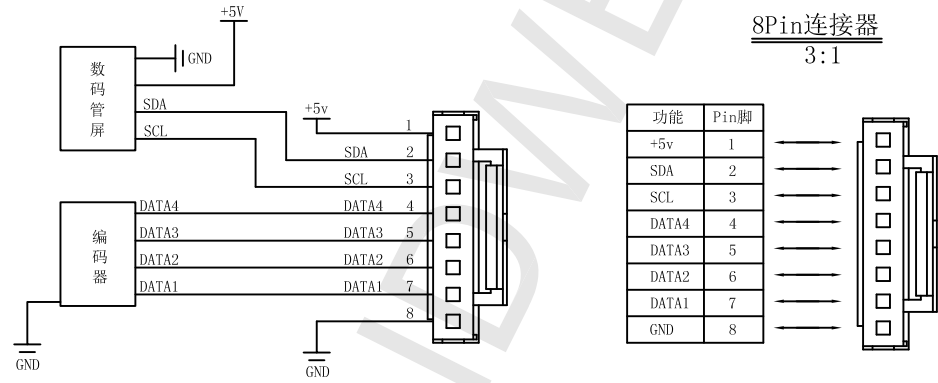


升威官网，发现更多产品

MODEL 品名	DIMENSIONS 尺寸	UNIT:mm
----------	---------------	---------



电路原理图



Resolution and Output signal

SERIES 系列	RESOLUTION 分解能力	DETENT 定位	Rotation direction 旋转方向	OUTPUT PHASE 输出波形													
MD68	16P	16	C.W (顺时针方向)	编码器信号原理→ CW 注: ● =NO 电气的导通状态													
				Position No. 0 1 2 3 4 5 6 7 8 9 10 11 12 13 14 15													
				Rotation angle(°) 0 22.5 45 67.5 90 112.5 135 157.5 180 202.5 225 247.5 270 292.5 315 337.5													
TERMINAL NO.	4								●	●	●	●	●	●	●	●	
	3			●	●	●	●	●	●	●							
	2		●	●	●	●				●	●	●	●				
	1		●	●		●	●			●	●			●	●		
	COM		●	●	●	●	●	●	●	●	●	●	●	●	●	●	●