



SOUNDWELL®

http://soundwell-cn.com

EC11 Series ENCODER



企业微信，扫码有惊喜



升威官网，发现更多产品

MODEL 品名	DIMENSIONS 尺寸	UNIT:mm																		
EC110202 -HA1	<table border="1"> <tr><td><input checked="" type="checkbox"/></td><td>W</td></tr> <tr><td>M</td><td>5.0</td></tr> <tr><td>N</td><td>7.0</td></tr> <tr><td>B</td><td>9.0</td></tr> <tr><td>A</td><td>10.0</td></tr> <tr><td>Q</td><td>17.0</td></tr> </table> <table border="1"> <tr><td>Z</td><td>M</td></tr> <tr><td>D</td><td>2.0</td></tr> <tr><td>B</td><td>2.5</td></tr> </table>	<input checked="" type="checkbox"/>	W	M	5.0	N	7.0	B	9.0	A	10.0	Q	17.0	Z	M	D	2.0	B	2.5	P.C.B MOUNTING HOLES DETAIL
<input checked="" type="checkbox"/>	W																			
M	5.0																			
N	7.0																			
B	9.0																			
A	10.0																			
Q	17.0																			
Z	M																			
D	2.0																			
B	2.5																			
EC110201 -HA1	<table border="1"> <tr><td><input checked="" type="checkbox"/></td><td>W</td></tr> <tr><td>M</td><td>5.0</td></tr> <tr><td>N</td><td>7.0</td></tr> <tr><td>B</td><td>9.0</td></tr> <tr><td>A</td><td>10.0</td></tr> <tr><td>Q</td><td>17.0</td></tr> </table> <table border="1"> <tr><td>Z</td><td>M</td></tr> <tr><td>D</td><td>2.0</td></tr> <tr><td>B</td><td>2.5</td></tr> </table>	<input checked="" type="checkbox"/>	W	M	5.0	N	7.0	B	9.0	A	10.0	Q	17.0	Z	M	D	2.0	B	2.5	P.C.B MOUNTING HOLES DETAIL
<input checked="" type="checkbox"/>	W																			
M	5.0																			
N	7.0																			
B	9.0																			
A	10.0																			
Q	17.0																			
Z	M																			
D	2.0																			
B	2.5																			
EC110201 2F-VH1	<table border="1"> <tr><td><input checked="" type="checkbox"/></td><td>W</td></tr> <tr><td>M</td><td>5.0</td></tr> <tr><td>N</td><td>7.0</td></tr> <tr><td>B</td><td>9.0</td></tr> <tr><td>A</td><td>10.0</td></tr> <tr><td>Q</td><td>17.0</td></tr> </table>	<input checked="" type="checkbox"/>	W	M	5.0	N	7.0	B	9.0	A	10.0	Q	17.0	P.C.B MOUNTING HOLES DETAIL						
<input checked="" type="checkbox"/>	W																			
M	5.0																			
N	7.0																			
B	9.0																			
A	10.0																			
Q	17.0																			
EC110201L2 -HA1	<table border="1"> <tr><td>Z</td><td>M</td></tr> <tr><td>D</td><td>2.0</td></tr> <tr><td>B</td><td>2.5</td></tr> </table>	Z	M	D	2.0	B	2.5	P.C.B MOUNTING HOLES DETAIL												
Z	M																			
D	2.0																			
B	2.5																			



SOUNDWELL®

http://soundwell-cn.com

EC11 Series ENCODER


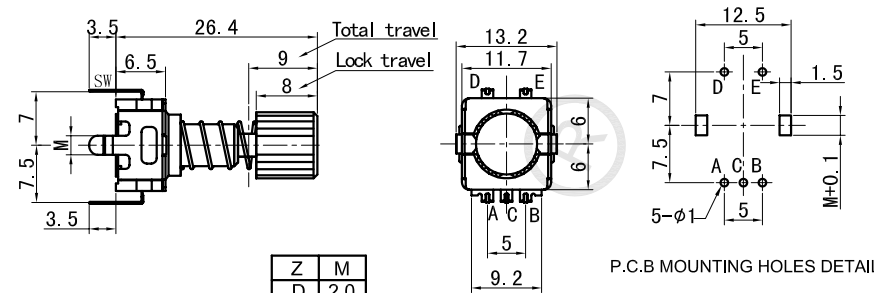

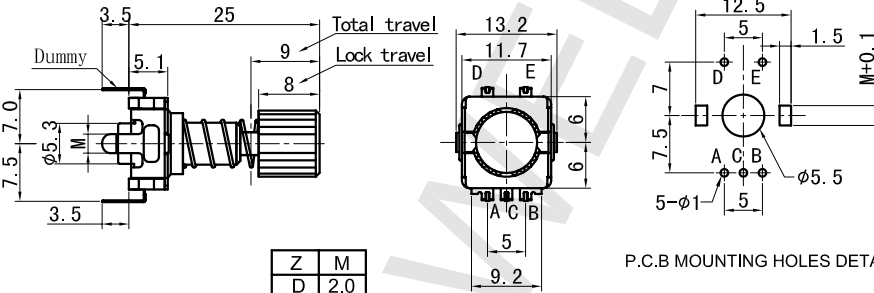
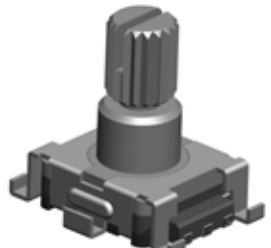
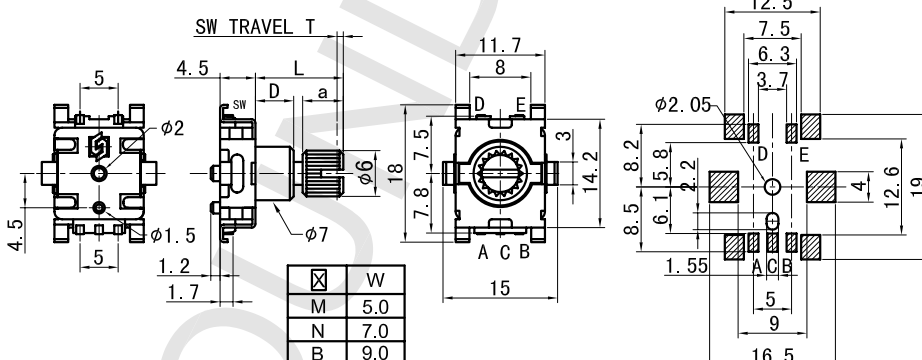
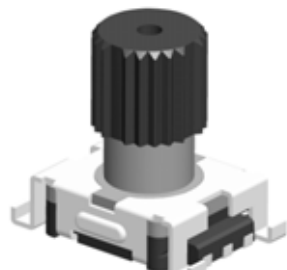
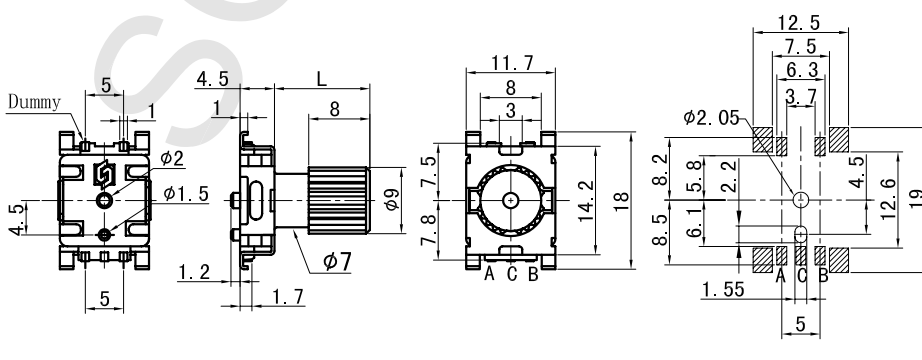


企业微信，扫码有惊喜



升威官网，发现更多产品

MODEL 品名	DIMENSIONS 尺寸	UNIT:mm
----------	---------------	---------

<p>EC110301A2 -HA1</p> 	 <table border="1" data-bbox="821 672 925 750"> <tr><td>Z</td><td>M</td></tr> <tr><td>D</td><td>2.0</td></tr> <tr><td>B</td><td>2.5</td></tr> </table> <p>P.C.B MOUNTING HOLES DETAIL</p>	Z	M	D	2.0	B	2.5												
Z	M																		
D	2.0																		
B	2.5																		
<p>EC110302A2 -HA1</p> 	 <table border="1" data-bbox="821 1120 925 1198"> <tr><td>Z</td><td>M</td></tr> <tr><td>D</td><td>2.0</td></tr> <tr><td>B</td><td>2.5</td></tr> </table> <p>P.C.B MOUNTING HOLES DETAIL</p>	Z	M	D	2.0	B	2.5												
Z	M																		
D	2.0																		
B	2.5																		
<p>EC11040 2F-VH1</p> 	 <table border="1" data-bbox="821 1512 949 1657"> <tr><td></td><td>W</td></tr> <tr><td>M</td><td>5.0</td></tr> <tr><td>N</td><td>7.0</td></tr> <tr><td>B</td><td>9.0</td></tr> <tr><td>A</td><td>10.0</td></tr> <tr><td>Q</td><td>17.0</td></tr> </table> <table border="1" data-bbox="973 1612 1101 1657"> <tr><td></td><td>1</td><td>3</td></tr> <tr><td>T</td><td>0.5</td><td>1.5</td></tr> </table> <p>P.C.B SOLDERING HOLES DETAIL</p>		W	M	5.0	N	7.0	B	9.0	A	10.0	Q	17.0		1	3	T	0.5	1.5
	W																		
M	5.0																		
N	7.0																		
B	9.0																		
A	10.0																		
Q	17.0																		
	1	3																	
T	0.5	1.5																	
<p>EC110402M2H-VH1</p> 	 <p>P.C.B SOLDERING HOLES DETAIL</p>																		



SOUNDWELL®

http://soundwell-cn.com

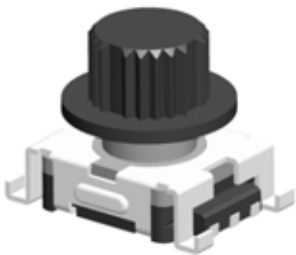
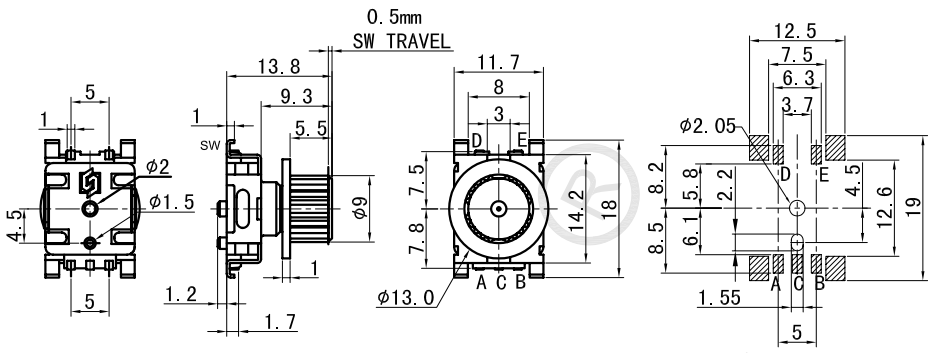


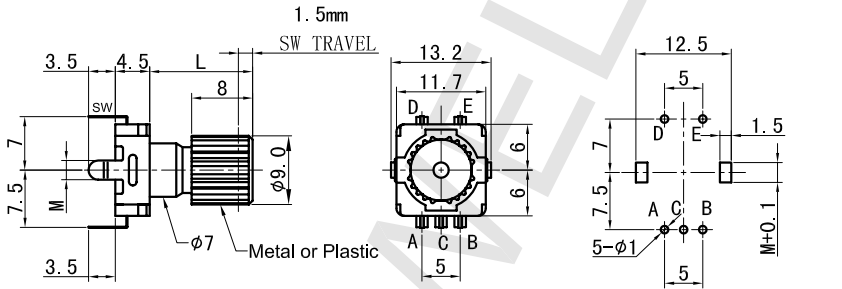





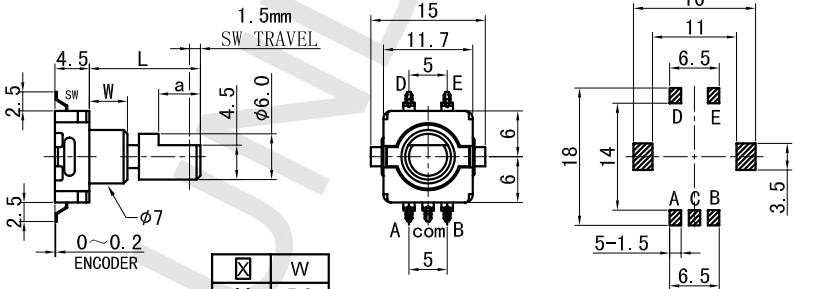





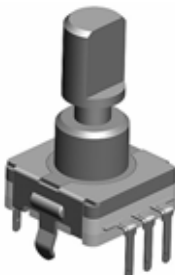
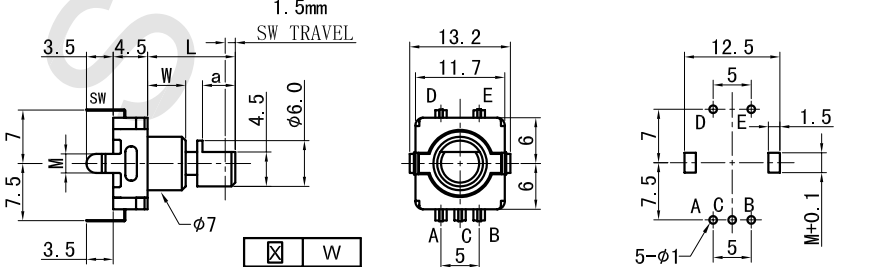



EC11 Series ENCODER



企业微信，扫码有惊喜



升威官网，发现更多产品

MODEL 品名	DIMENSIONS 尺寸	UNIT:mm																		
EC110401D2H-VH1 	 <p>0.5mm SW TRAVEL</p> <p>P.C.B SOLDERING HOLES DETAIL</p>																			
EC110501B2  -HA1 	 <p>1.5mm SW TRAVEL</p> <p>Metal or Plastic</p> <table border="1" data-bbox="853 1142 954 1220"> <tr><td></td><td>M</td></tr> <tr><td>D</td><td>2.0</td></tr> <tr><td>B</td><td>2.5</td></tr> </table> <p>P.C.B MOUNTING HOLES DETAIL</p>		M	D	2.0	B	2.5													
	M																			
D	2.0																			
B	2.5																			
EC110501  2F-VH1 	 <p>1.5mm SW TRAVEL</p> <p>ENCODER</p> <table border="1" data-bbox="833 1512 954 1657"> <tr><td></td><td>W</td></tr> <tr><td>M</td><td>5.0</td></tr> <tr><td>N</td><td>7.0</td></tr> <tr><td>B</td><td>9.0</td></tr> <tr><td>A</td><td>10.0</td></tr> <tr><td>Q</td><td>17.0</td></tr> </table> <p>P.C.B MOUNTING HOLES DETAIL</p>		W	M	5.0	N	7.0	B	9.0	A	10.0	Q	17.0							
	W																			
M	5.0																			
N	7.0																			
B	9.0																			
A	10.0																			
Q	17.0																			
EC110501  2  -HA1 	 <p>1.5mm SW TRAVEL</p> <table border="1" data-bbox="833 1937 954 2083"> <tr><td></td><td>W</td></tr> <tr><td>M</td><td>5.0</td></tr> <tr><td>N</td><td>7.0</td></tr> <tr><td>B</td><td>9.0</td></tr> <tr><td>A</td><td>10.0</td></tr> <tr><td>Q</td><td>17.0</td></tr> </table> <table border="1" data-bbox="976 2011 1077 2089"> <tr><td>Z</td><td>M</td></tr> <tr><td>D</td><td>2.0</td></tr> <tr><td>B</td><td>2.5</td></tr> </table> <p>P.C.B MOUNTING HOLES DETAIL</p>		W	M	5.0	N	7.0	B	9.0	A	10.0	Q	17.0	Z	M	D	2.0	B	2.5	
	W																			
M	5.0																			
N	7.0																			
B	9.0																			
A	10.0																			
Q	17.0																			
Z	M																			
D	2.0																			
B	2.5																			



SOUNDWELL®

http://soundwell-cn.com


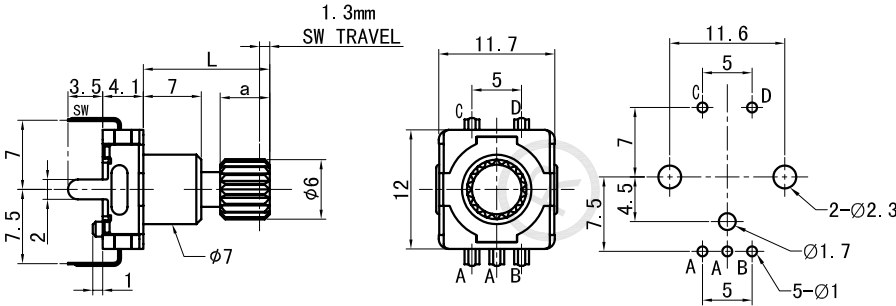
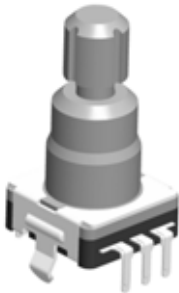
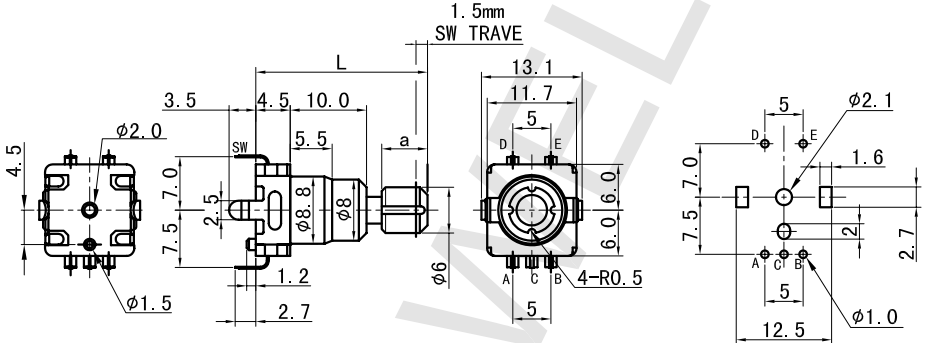

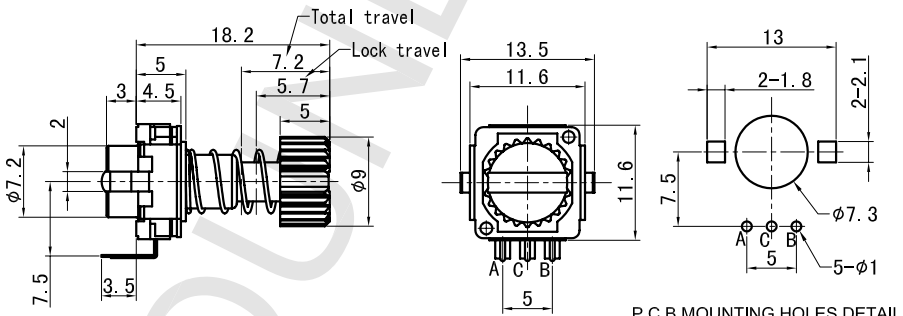

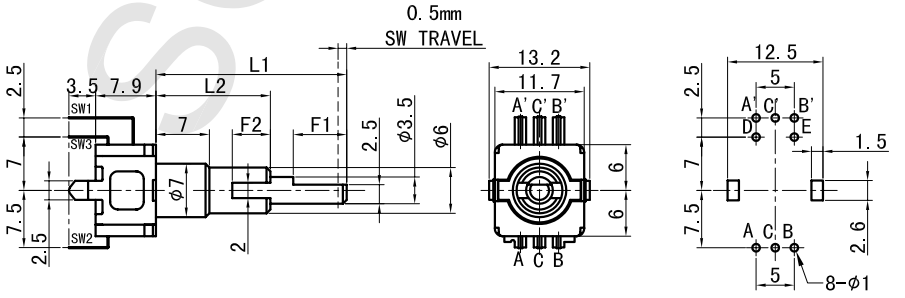
EC11 Series ENCODER



企业微信，扫码有惊喜



升威官网，发现更多产品

MODEL 品名	DIMENSIONS 尺寸	UNIT:mm
<p>EC110502N2A-HA1</p> 	 <p>1.3mm SW TRAVEL</p> <p>P.C.B MOUNTING HOLES DETAIL</p>	
<p>EC110501C6B-HA1</p> 	 <p>1.5mm SW TRAVEL</p> <p>P.C.B MOUNTING HOLES DETAIL</p>	
<p>EC110602A2B-HA1</p> 	 <p>Total travel Lock travel</p> <p>P.C.B MOUNTING HOLES DETAIL</p>	
<p>EC110701N2B-HA1</p> 	 <p>0.5mm SW TRAVEL</p> <p>(SW1; SW2) ENCODER (SW3) PUSH ON SW</p> <p>P.C.B MOUNTING HOLES DETAIL</p>	



SOUNDWELL®

http://soundwell-cn.com

EC11 Series ENCODER



企业微信，扫码有惊喜



升威官网，发现更多产品

MODEL 品名	DIMENSIONS 尺寸		UNIT:mm												
EC111002 <input checked="" type="checkbox"/> 2D-HA1		<table border="1"> <thead> <tr> <th><input checked="" type="checkbox"/></th> <th>W</th> <th>D</th> </tr> </thead> <tbody> <tr> <td>U</td> <td>7</td> <td>M7X0.75</td> </tr> <tr> <td>S</td> <td>5</td> <td>M7X0.75</td> </tr> <tr> <td>E</td> <td>5</td> <td>M6X0.35</td> </tr> </tbody> </table>	<input checked="" type="checkbox"/>	W	D	U	7	M7X0.75	S	5	M7X0.75	E	5	M6X0.35	
<input checked="" type="checkbox"/>	W	D													
U	7	M7X0.75													
S	5	M7X0.75													
E	5	M6X0.35													
EC111001 <input checked="" type="checkbox"/> 2B-HA1		<table border="1"> <thead> <tr> <th><input checked="" type="checkbox"/></th> <th>W</th> <th>D</th> </tr> </thead> <tbody> <tr> <td>U</td> <td>7</td> <td>M7X0.75</td> </tr> <tr> <td>S</td> <td>5</td> <td>M7X0.75</td> </tr> <tr> <td>E</td> <td>5</td> <td>M6X0.35</td> </tr> </tbody> </table>	<input checked="" type="checkbox"/>	W	D	U	7	M7X0.75	S	5	M7X0.75	E	5	M6X0.35	
<input checked="" type="checkbox"/>	W	D													
U	7	M7X0.75													
S	5	M7X0.75													
E	5	M6X0.35													
EC111002 <input checked="" type="checkbox"/> 6D-HA1		<table border="1"> <thead> <tr> <th><input checked="" type="checkbox"/></th> <th>W</th> <th>D</th> </tr> </thead> <tbody> <tr> <td>U</td> <td>7</td> <td>M7X0.75</td> </tr> <tr> <td>S</td> <td>5</td> <td>M7X0.75</td> </tr> <tr> <td>E</td> <td>5</td> <td>M6X0.35</td> </tr> </tbody> </table>	<input checked="" type="checkbox"/>	W	D	U	7	M7X0.75	S	5	M7X0.75	E	5	M6X0.35	
<input checked="" type="checkbox"/>	W	D													
U	7	M7X0.75													
S	5	M7X0.75													
E	5	M6X0.35													
EC111005 <input checked="" type="checkbox"/> 2D-HA1		<table border="1"> <thead> <tr> <th><input checked="" type="checkbox"/></th> <th>W</th> <th>D</th> </tr> </thead> <tbody> <tr> <td>U</td> <td>7</td> <td>M7X0.75</td> </tr> <tr> <td>S</td> <td>5</td> <td>M7X0.75</td> </tr> <tr> <td>E</td> <td>5</td> <td>M6X0.35</td> </tr> </tbody> </table>	<input checked="" type="checkbox"/>	W	D	U	7	M7X0.75	S	5	M7X0.75	E	5	M6X0.35	
<input checked="" type="checkbox"/>	W	D													
U	7	M7X0.75													
S	5	M7X0.75													
E	5	M6X0.35													



SOUNDWELL®

<http://soundwell-cn.com>

EC11 Series ENCODER



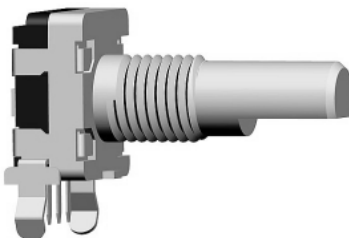
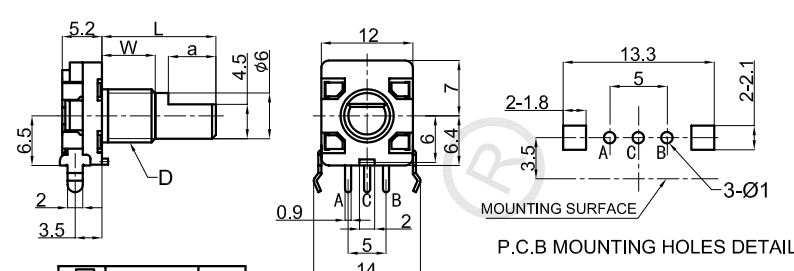
企业微信，扫码有惊喜



升威官网，发现更多产品

MODEL 品名	DIMENSIONS 尺寸	UNIT:mm
----------	---------------	---------

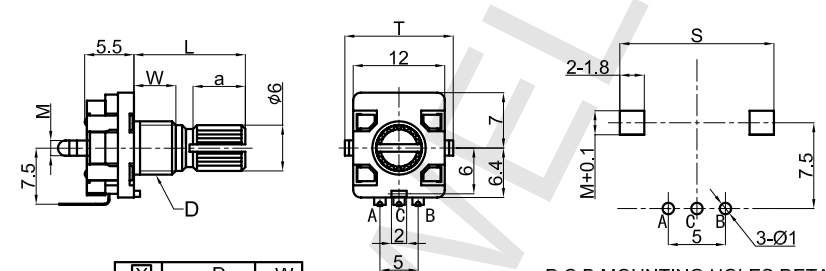
EC110104 2A-VA1

<input checked="" type="checkbox"/>	D	W
R	M7x0.75	5.0
T	M7x0.75	7.0
M	Ø7	5.0
N	Ø7	7.0

P.C.B MOUNTING HOLES DETAIL

EC110104 2Z-HA1

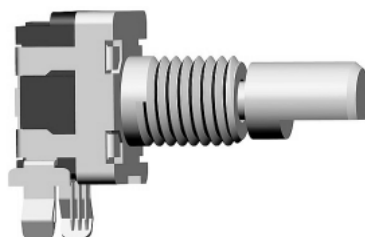
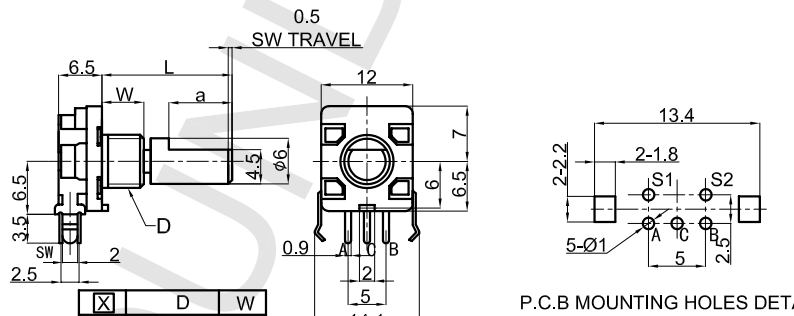



<input checked="" type="checkbox"/>	D	W
R	M7x0.75	5.0
T	M7x0.75	7.0
M	Ø7	5.0
N	Ø7	7.0

<input checked="" type="checkbox"/>	M	T	S
D	2.0	14.1	13.4
B	2.5	11.7	11.0

P.C.B MOUNTING HOLES DETAIL

EC110101 2A-VA1

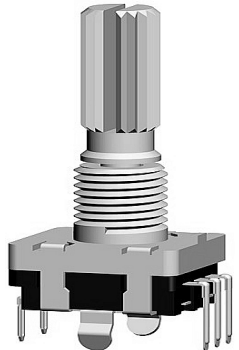
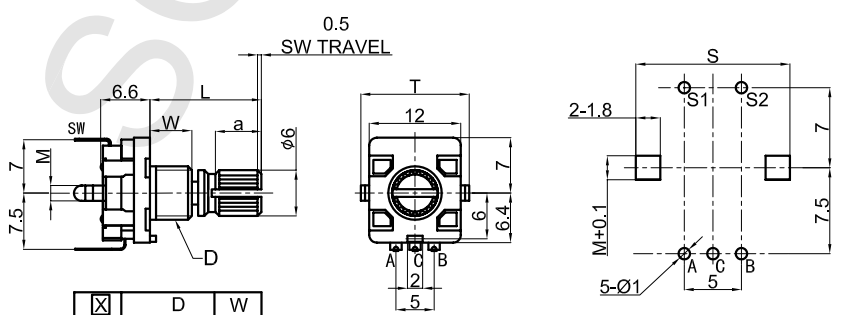



0.5 SW TRAVEL

<input checked="" type="checkbox"/>	D	W
R	M7x0.75	5.0
T	M7x0.75	7.0
M	Ø7	5.0
N	Ø7	7.0

P.C.B MOUNTING HOLES DETAIL

EC110101 2Z-HA1

0.5 SW TRAVEL

<input checked="" type="checkbox"/>	D	W
R	M7x0.75	5.0
T	M7x0.75	7.0
M	Ø7	5.0
N	Ø7	7.0

<input checked="" type="checkbox"/>	M	T	S
D	2.0	14.1	13.4
B	2.5	11.7	11.0

P.C.B MOUNTING HOLES DETAIL



SOUNDWELL®

http://soundwell-cn.com

EC11 Series ENCODER



企业微信，扫码有惊喜



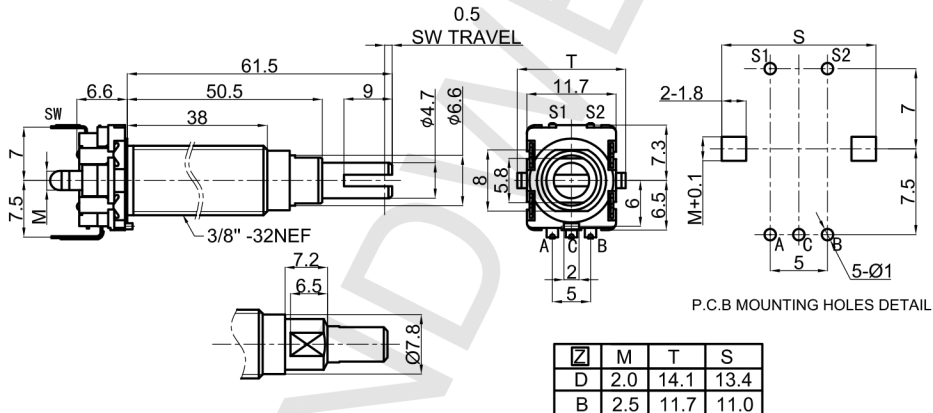
升威官网，发现更多产品

MODEL 品名

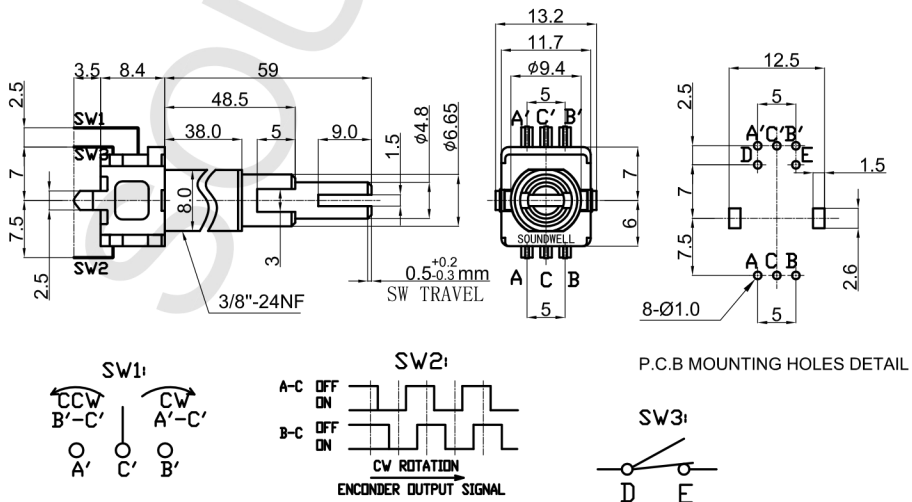
DIMENSIONS 尺寸

UNIT:mm

EC110101L2[Z]-HA1



EC110901L2B-HA1





SOUNDWELL®

<http://soundwell-cn.com>

EC11 Series

ENCODER



企业微信，扫码有惊喜



升威官网，发现更多产品

MODEL 品名	DIMENSIONS 尺寸	UNIT:mm
----------	---------------	---------

Resolution and Output signal					
SERIES 系列	RESOLUTION 分解能力	DETENT 定位	Rotation direction 旋转方向	SIGNAL 信号	OUTPUT PHASE 输出波形
EC11	8P	16	C. W (顺时针方向)	A (Terminal A-C)	
				B (Terminal B-C)	
	15P (正向)	30	C. W (顺时针方向)	A (Terminal A-C)	
				B (Terminal B-C)	
	15P (反向)	30	C. W (顺时针方向)	A (Terminal A-C)	
				B (Terminal B-C)	
	16P	32	C. W (顺时针方向)	A (Terminal A-C)	
				B (Terminal B-C)	
	20P (正向)	20	C. W (顺时针方向)	A (Terminal A-C)	
				B (Terminal B-C)	
	20P (反向)	20	C. W (顺时针方向)	A (Terminal A-C)	
				B (Terminal B-C)	

Note: The broken line shows detent position.

注明: 虚线表示带卡点装置的卡点处位置。