



SOUNDWELL®

http://soundwell-cn.com

# 45mm Travel Series POTENTIOMETER

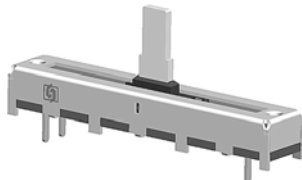
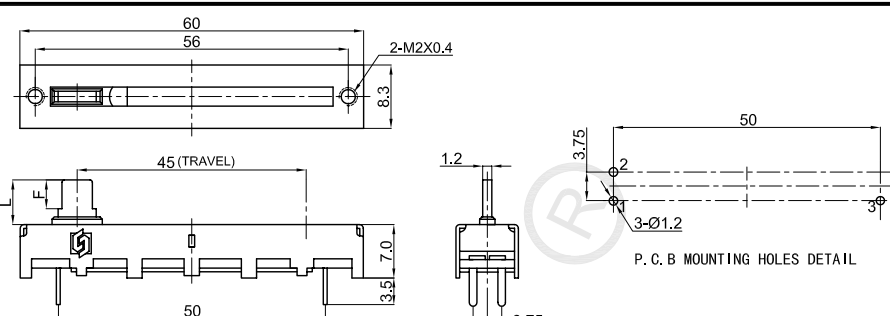


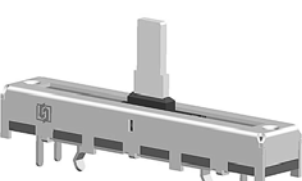
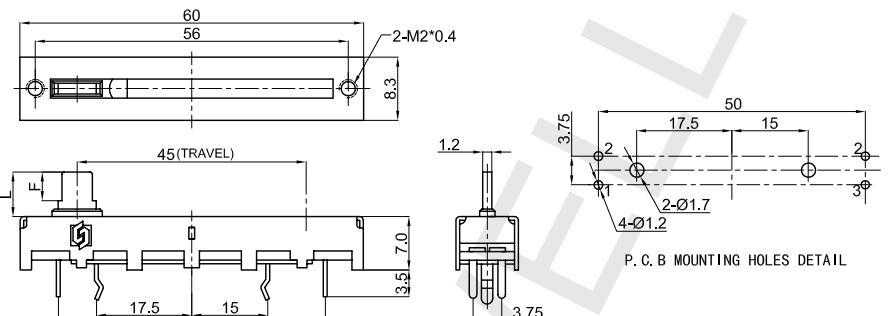
企业微信，扫码有惊喜



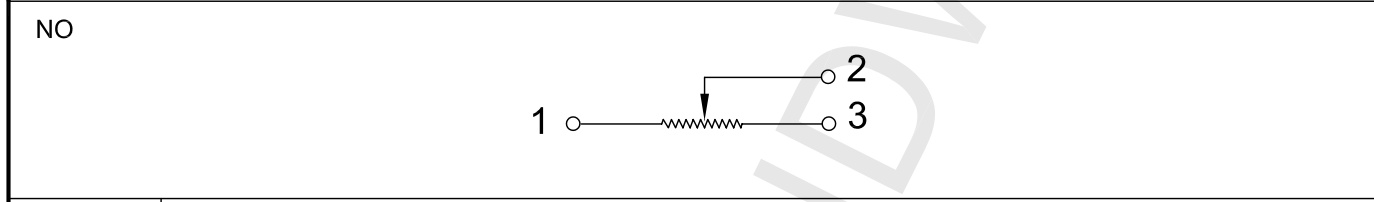
升威官网，发现更多产品

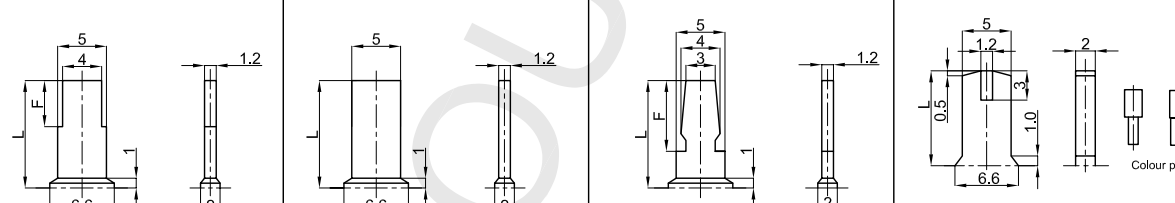
MODEL 品名	DIMENSIONS 尺寸	UNIT:mm
----------	---------------	---------

<p><b>SC4503NOA0X-HA1</b></p> 	
---	--

<p><b>SC4503NOA0A-HA1</b></p> 	
---	---

### SC4503 SERIES CIRCUIT DIAGRAM



MODEL	SC4503 SERIES				UNIT:mm																										
LEVER TYPE	M12A	M12B	M13A	P14B																											
DIMENSIONS																															
	<table border="1" style="width: 100%;"> <tr> <td>L</td> <td>8</td> <td>10</td> <td>15</td> <td>17.3</td> <td>20</td> <td>25</td> </tr> <tr> <td>F</td> <td>3</td> <td>7</td> <td>10</td> <td>10</td> <td>10</td> <td>10</td> </tr> </table>				L	8	10	15	17.3	20	25	F	3	7	10	10	10	10													
	L	8	10	15	17.3	20	25																								
F	3	7	10	10	10	10																									
<table border="1" style="width: 100%;"> <tr> <td>L</td> <td>10</td> <td>15</td> </tr> <tr> <td>F</td> <td>7</td> <td>10</td> </tr> </table>				L	10	15	F	7	10	<table border="1" style="width: 100%;"> <tr> <td>L</td> <td>10</td> <td>15</td> <td>20</td> </tr> <tr> <td>F</td> <td>7</td> <td>10</td> <td>10</td> </tr> </table>	L	10	15	20	F	7	10	10	<table border="1" style="width: 100%;"> <tr> <td colspan="4">Colour pt.</td> </tr> <tr> <td>R□</td> <td>N□</td> <td>EO</td> <td>W□</td> </tr> <tr> <td>Red</td> <td>Green</td> <td>Orange</td> <td>White</td> </tr> </table>	Colour pt.				R□	N□	EO	W□	Red	Green	Orange	White
L	10	15																													
F	7	10																													
L	10	15	20																												
F	7	10	10																												
Colour pt.																															
R□	N□	EO	W□																												
Red	Green	Orange	White																												



SOUNDWELL®

http://soundwell-cn.com

# 45mm Travel Series POTENTIOMETER



企业微信，扫码有惊喜



升威官网，发现更多产品

MODEL 品名	DIMENSIONS 尺寸		UNIT:mm
SC4505NOB $\square$ X-HA1			$\square=0/1/3$ (Refer to below) L 5 10 15
SC4505GOB0X-HA1			$\square=0/1/3$ (Refer to below) L 5 10 15
SC4505NOA $\square$ X-HA1			$\square=0/1/3$ (Refer to below) L 5 10 15
SC4505GOA $\square$ X-HA1			$\square=0/1/3$ (Refer to below) L 5 10 15
<b>P.C.B. MOUNTING HOLE DETAIL (FOR SC Series)</b>			
$\square$ CODE 0	$\square$ CODE 1	$\square$ CODE 3	



SOUNDWELL®

<http://soundwell-cn.com>

# 45mm Travel Series POTENTIOMETER

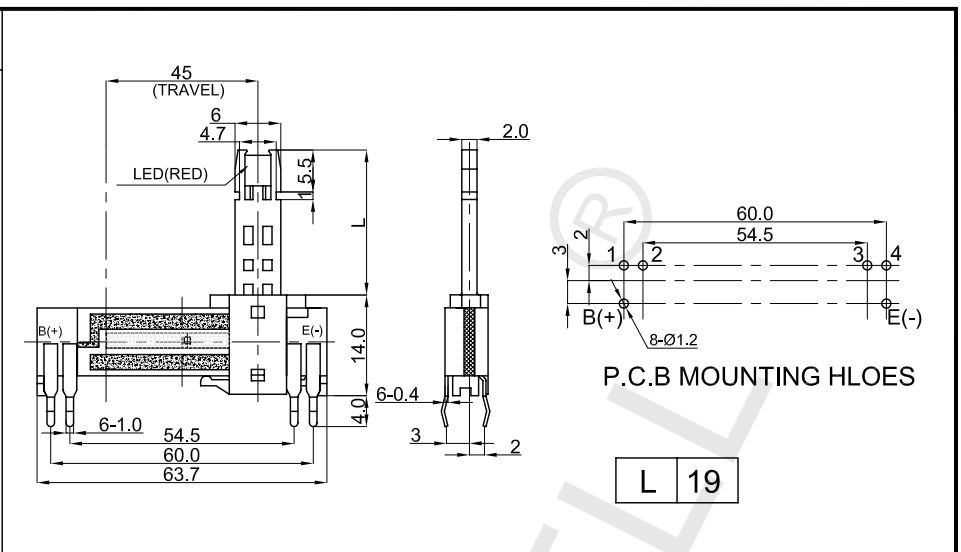
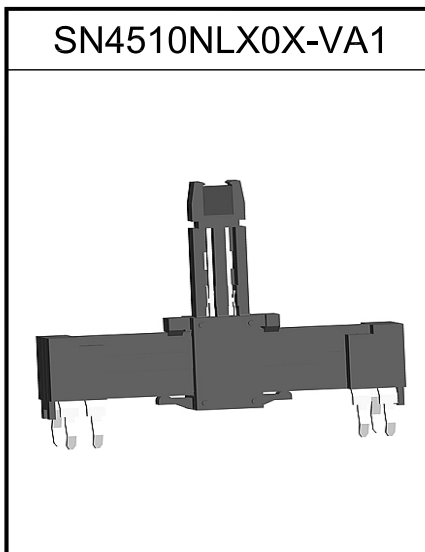


企业微信，扫码有惊喜



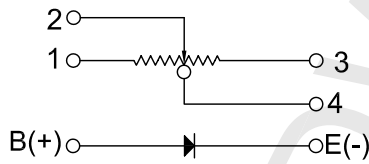
升威官网，发现更多产品

MODEL 品名	DIMENSIONS 尺寸	UNIT:mm
----------	---------------	---------



## SN4510 SERIES CIRCUIT DIAGRAM

NL





SOUNDWELL®

<http://soundwell-cn.com>

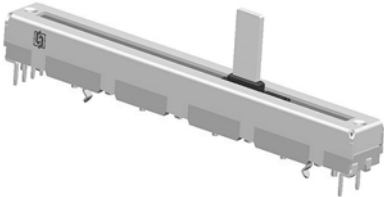
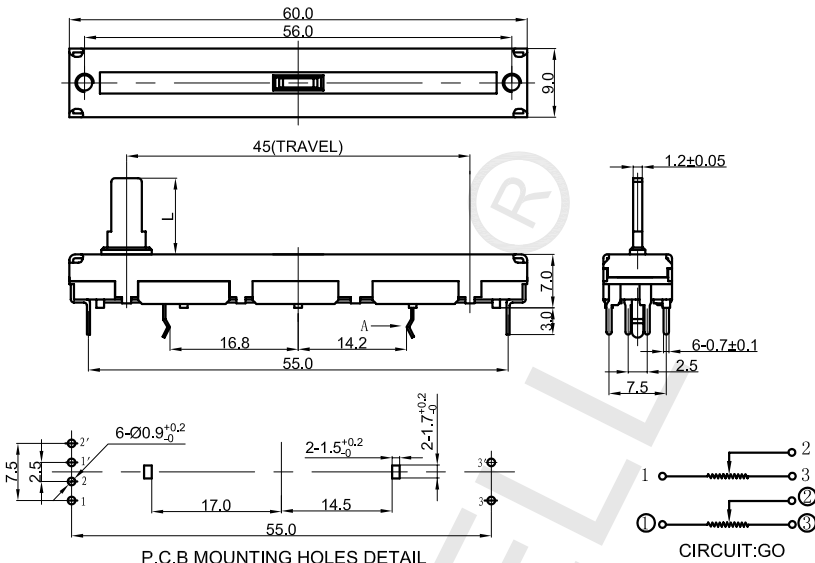
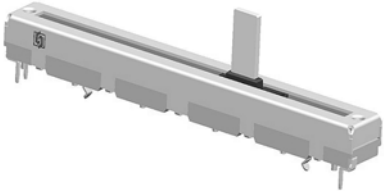
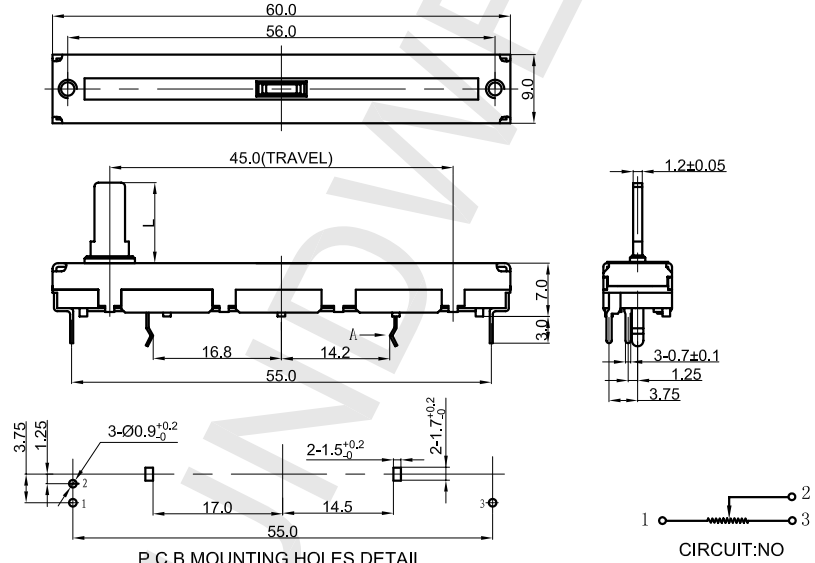
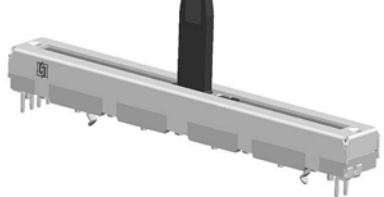
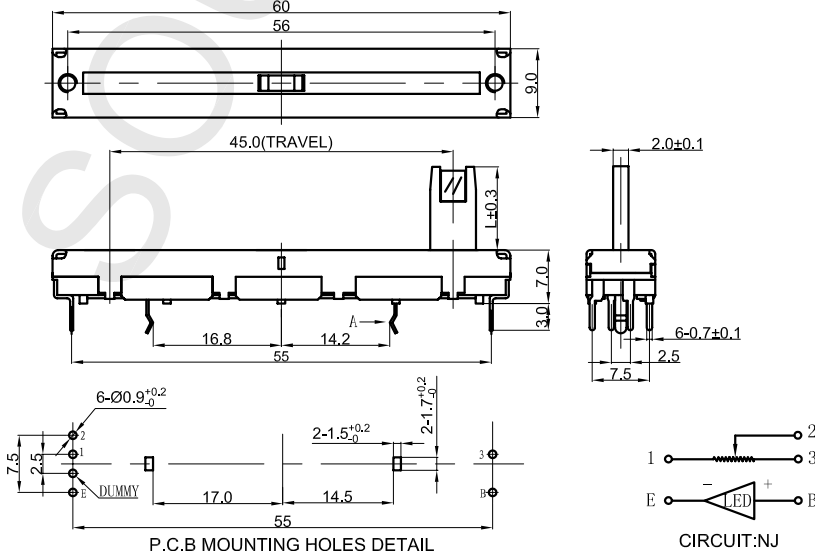
# 45mm Travel Series POTENTIOMETERS



企业微信，扫码有惊喜



升威官网，发现更多产品

MODEL 品名	DIMENSIONS 尺寸	UNIT:mm
	 <p>P.C.B MOUNTING HOLES DETAIL</p> <p>CIRCUIT:GO</p>	
	 <p>P.C.B MOUNTING HOLES DETAIL</p> <p>CIRCUIT:NO</p>	
	 <p>P.C.B MOUNTING HOLES DETAIL</p> <p>CIRCUIT:NJ</p>	



SOUNDWELL®

<http://soundwell-cn.com>

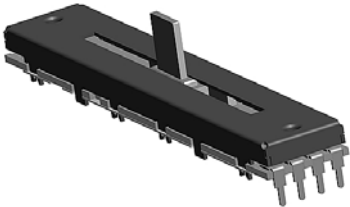
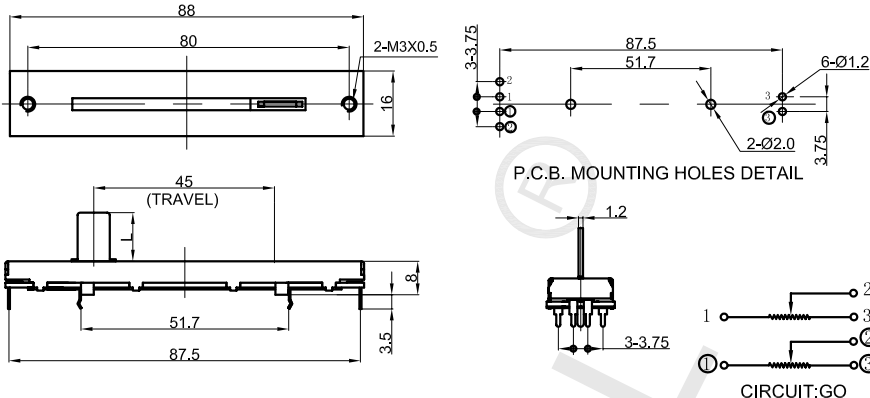
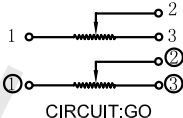
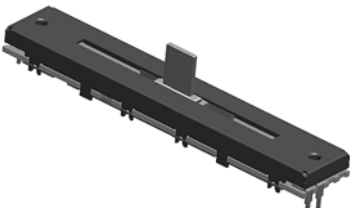
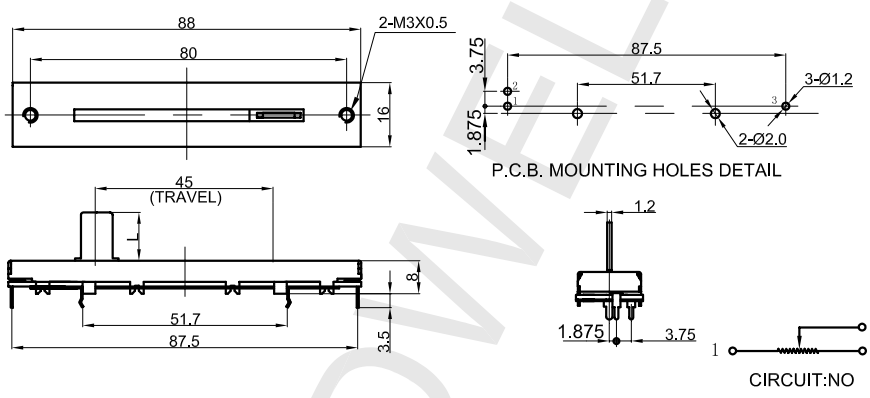
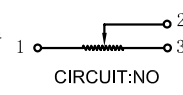
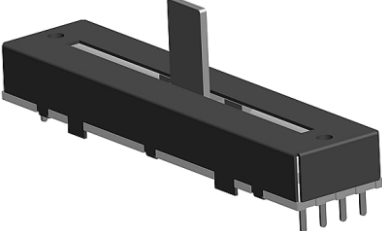
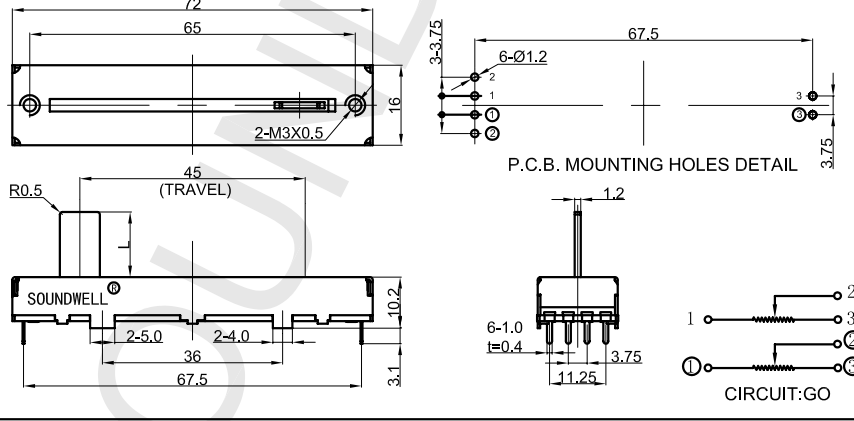
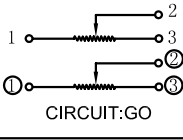
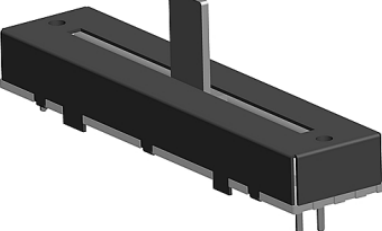
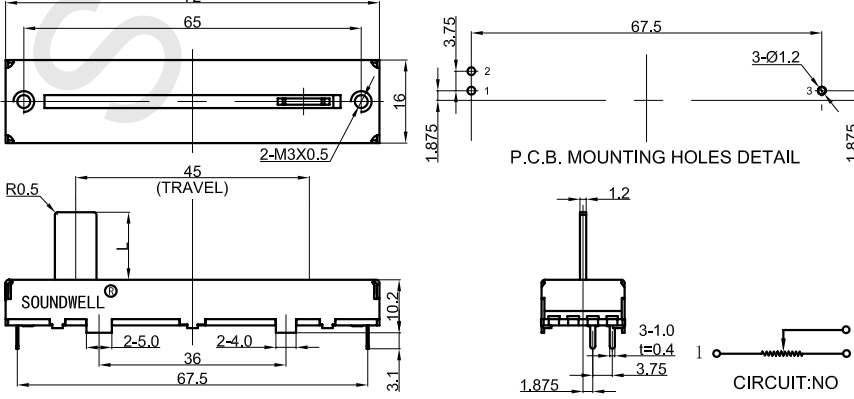
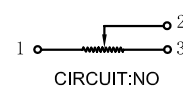
# 45mm Travel Series POTENTIOMETERS



企业微信，扫码有惊喜



升威官网，发现更多产品

MODEL 品名	DIMENSIONS 尺寸	UNIT:mm
<p>SK4591GOA0A-HA1</p> 		 <p>CIRCUIT:GO</p>
<p>SK4591NOA0A-HA1</p> 		 <p>CIRCUIT:NO</p>
<p>SK4593GOA0X-HA1</p> 		 <p>CIRCUIT:GO</p>
<p>SK4593NOA0X-HA1</p> 		 <p>CIRCUIT:NO</p>



SOUNDWELL®

http://soundwell-cn.com

# 45mm Travel Series POTENTIOMETERS

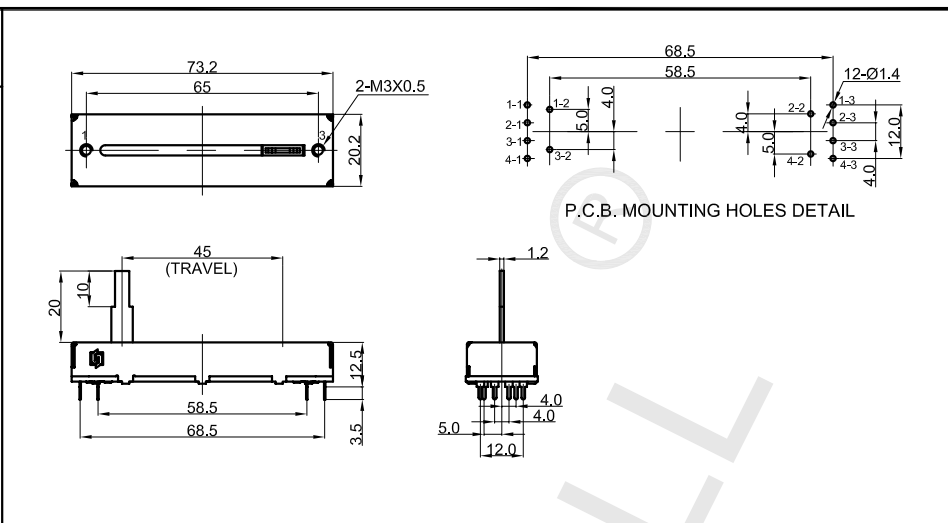
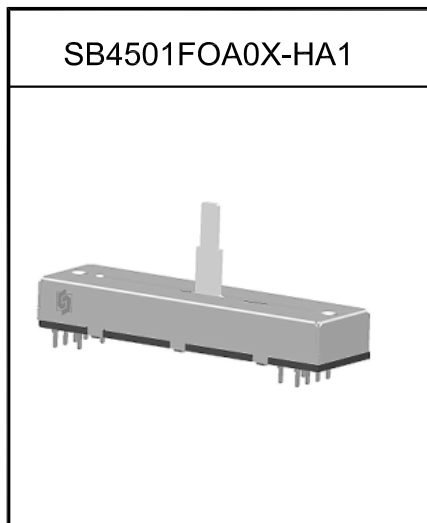


企业微信，扫码有惊喜



升威官网，发现更多产品

MODEL 品名	DIMENSIONS 尺寸	UNIT:mm
----------	---------------	---------



## SB4501 SERIES CIRCUIT DIAGRAM

