



SOUNDWELL®

http://soundwell-cn.com

RS26 Series SWITCH

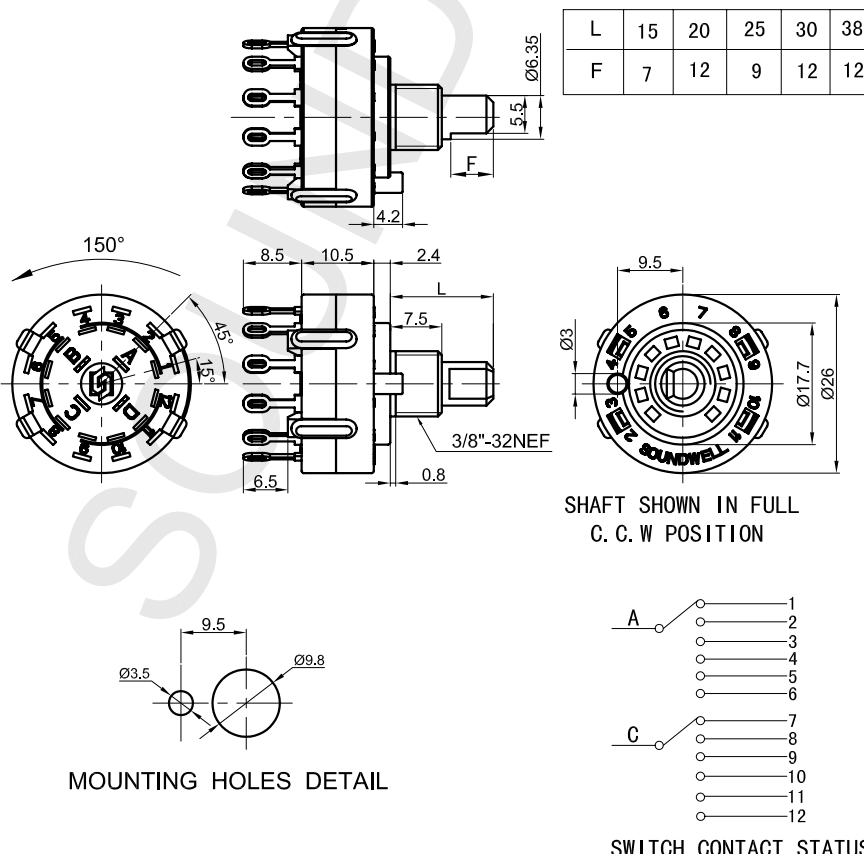
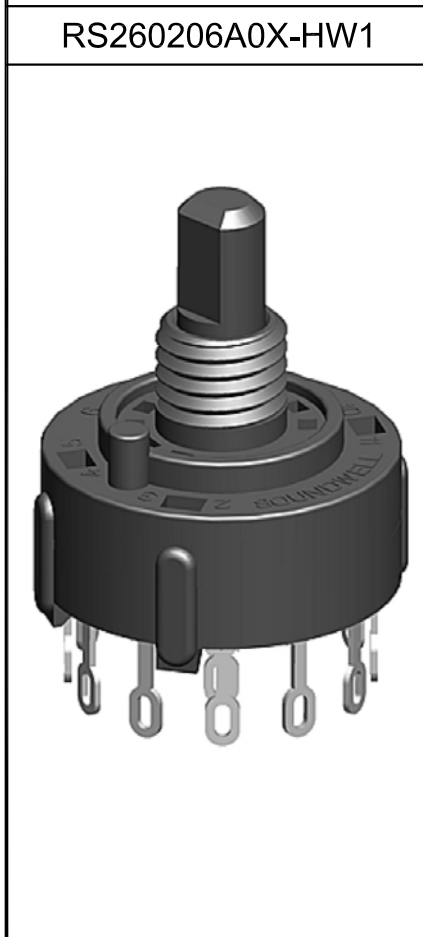
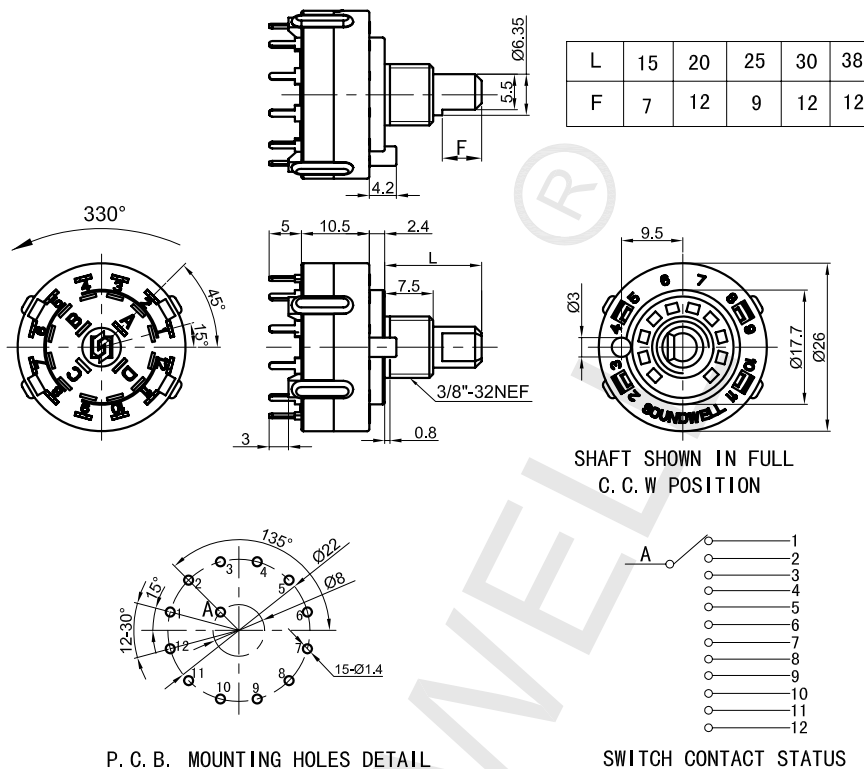
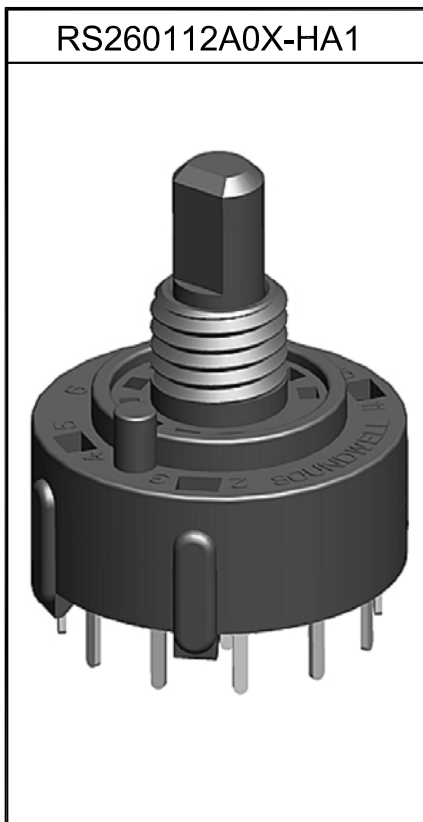


企业微信，扫码有惊喜



升威官网，发现更多产品

MODEL 品名	DIMENSIONS 尺寸		UNIT:mm			
----------	---------------	--	---------	--	--	--





SOUNDWELL®

<http://soundwell-cn.com>

RS260107 Series SWITCH


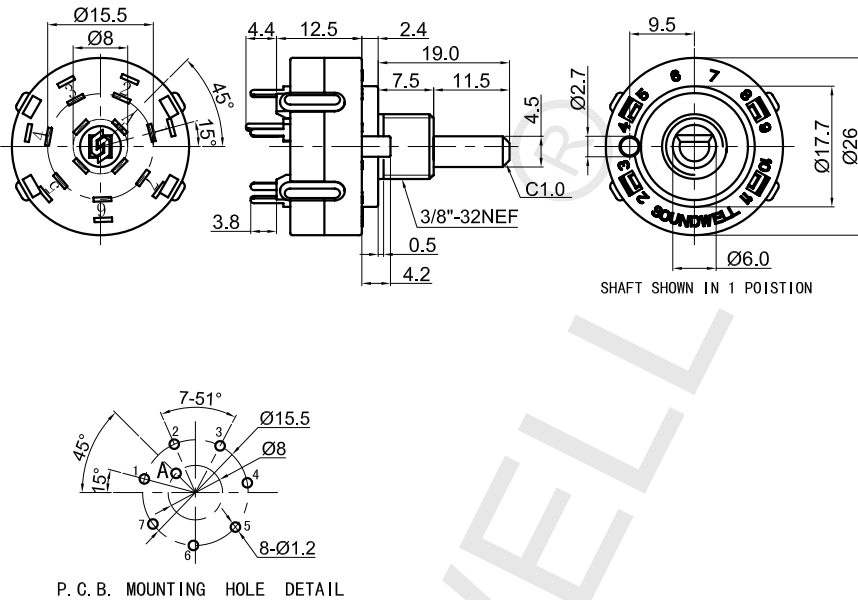


企业微信，扫码有惊喜



升威官网，发现更多产品

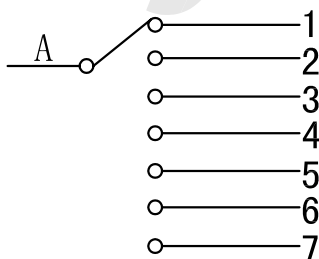
MODEL 品名	DIMENSIONS 尺寸	UNIT:mm
----------	---------------	---------

	 <p>P. C. B. MOUNTING HOLE DETAIL</p>
--	--

RS260107 SERIES COMMON SPECIFICATION

MECHANICAL CHARACTERISTIC 机械特性		
Step Angle	每段角度	51.5° ± 3° (360° /7CC)
Rotational Torque	旋转力矩	200~700gf.cm
Terminal Strength	端子强度	more than 500gf
ELECTRICAL CHARACTERISTIC 电气特性		
Rating Power	额定功率	0.3A, DC 30V
Contact Resistance	接触阻抗	50mΩ Max
Insulation Resistance	绝缘电阻	100MΩ 1 Minute at DC 500V
Dielectric Voltage	耐电压	1 Minute at DC 500V
ENDURANCE CHARACTERISTIC 耐久特性		
Rotational Life	旋转寿命	10,000 cycles

SWITCH CONTACT STATUS





SOUNDWELL®


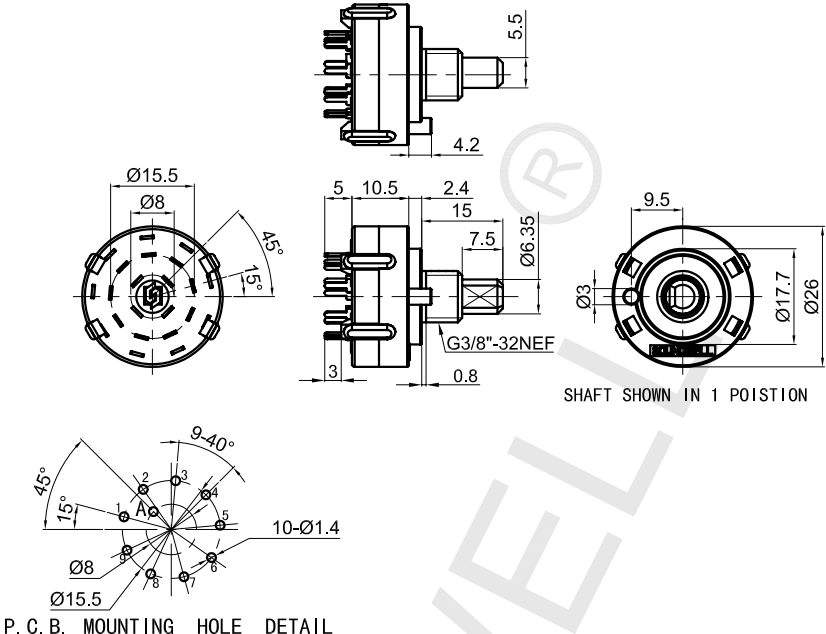
<http://soundwell-cn.com>RS260109 Series
SWITCH

企业微信，扫码有惊喜



升威官网，发现更多产品

MODEL 品名	DIMENSIONS 尺寸	UNIT:mm
----------	---------------	---------

<p>RS260109A0X-HA1</p> 	 <p style="text-align: center;">P. C. B. MOUNTING HOLE DETAIL</p>
---	--

RS260109 SERIES COMMON SPECIFICATION

MECHANICAL CHARACTERISTIC 机械特性		
Step Angle	每段角度	40°±3° (360° / 9CC)
Rotational Torque	旋转力矩	200~700gf.cm
Terminal Strength	端子强度	more than 500gf
ELECTRICAL CHARACTERISTIC 电气特性		
Rating Power	额定功率	0.3A, DC 30V
Contact Resistance	接触阻抗	50mΩ Max
Insulation Resistance	绝缘电阻	100MΩ 1 Minute at DC 500V
Dielectric Voltage	耐电压	1 Minute at DC 500V
ENDURANCE CHARACTERISTIC 耐久特性		
Rotational Life	旋转寿命	10,000 cycles

SWITCH CONTACT STATUS

